

PUMP

DAVEY PM centrifugal impeller type pool pumps are specially designed for heavy duty applications, particularly institutional and commercial swimming pools. Features include built-in check valve, quick connect couplings for simple installation, extra large line strainer with see through lid and computer designed impeller and diffuser for high efficiency, excellent priming performance and quiet operation.

All pump components are made from glass filled plastics. This pump is compatible with marine conditions, as such it may be used in fish farming applications.

MOTOR

The pump is fitted with an integral DAVEY 'large frame' TEFC heavy duty motor designed to match the pump output. Features include front mounted fan for improved cooling and motor protection in the event of seal leakage, heavy duty bearings and a corrosion protected aluminium casing. The motor is provided with an in-built automatic re-start thermal relay for protection against electrical and mechanical overload and can be connected directly to a power supply through a 13amp fuse or MCB.

Enclosure Class: IP56

Insulation Class: F

Speed: 2900rpm

OPERATING CONDITIONS

Pumped liquid: Thin, clean, chemically non aggressive liquids without solids or fibres.

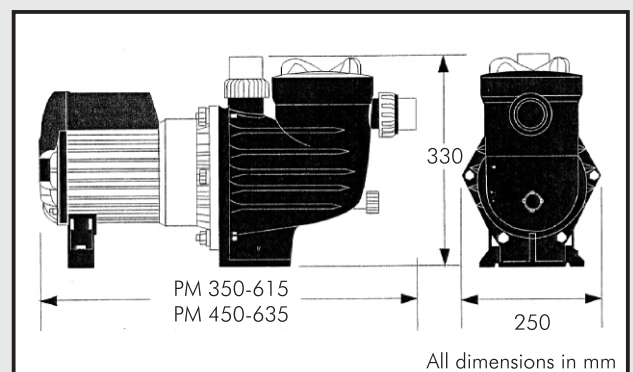
Maximum Fluid Temperature: +50°C

Maximum Ambient Temperature: +55°C

Maximum Suction Lift: 7.5m (at sea level)

PUMP DATA

Pump	Motor		Operating Current (A)	Inlet & Outlet (mm)	Weight (kg)
	V	kW			
PM 350	1x240V	1.2kW	7.7	50	16
PM 450	1x240V	1.7kW	10	50	19
PM 450/3	3x415V	1.7kW	3.6	50	19



All dimensions in mm